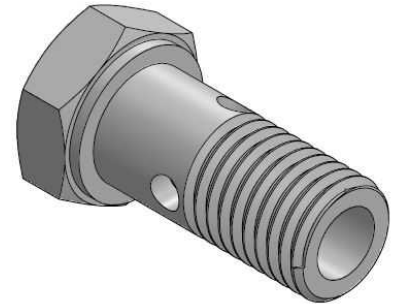
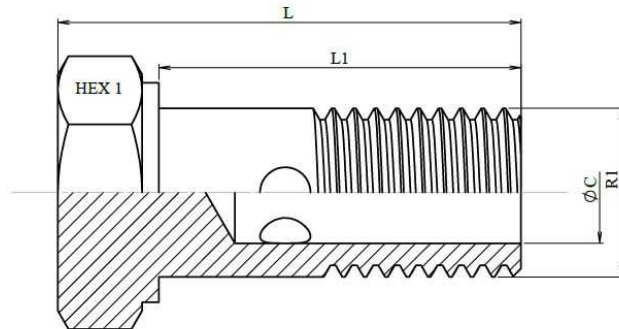


**Metric bolt for banjo**

Carbon steel



Part n°	R1	L	L1	HEX 1	ØC
<b>S109208</b>	M8x1	21,5	16	12	4
<b>S109210</b>	M10x1	27,5	21,5	14	6
<b>S109212</b>	M12x1.5	30,5	24,5	19	6
<b>S109214</b>	M14x1.5	34	27	19	8
<b>S109216</b>	M16x1.5	37	29	22	9
<b>S109218</b>	M18x1.5	41	32	22	9
<b>S109222</b>	M22x1.5	47	38	27	13
<b>S109226</b>	M26x1.5	53	43	32	16
<b>S109230</b>	M30x1.5	87	46	41	19